

## Cill Types



**Type 1** Plain  
with stop end

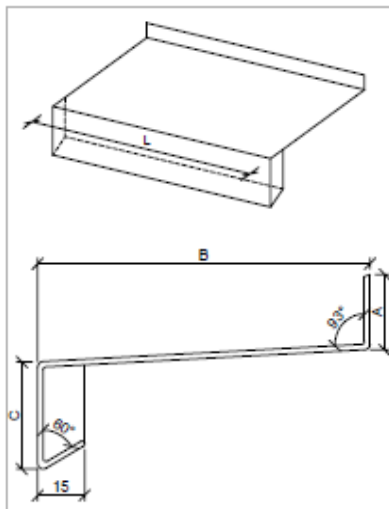


**Type 3** Cutout upstand  
with stop end

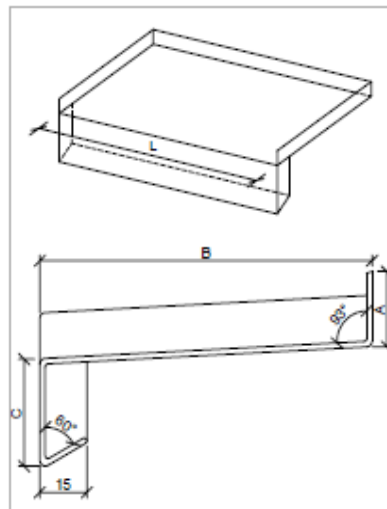


**Type 6** Plain  
without stop end

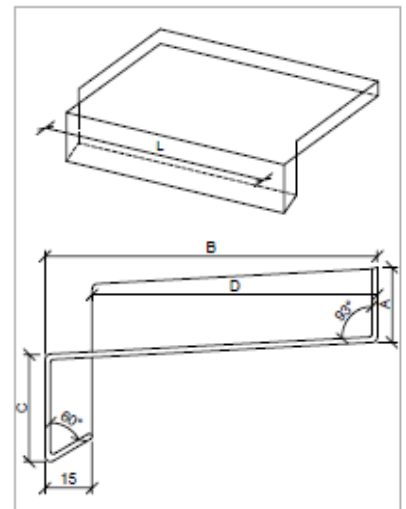
Cill Type 1: Plain Stopend



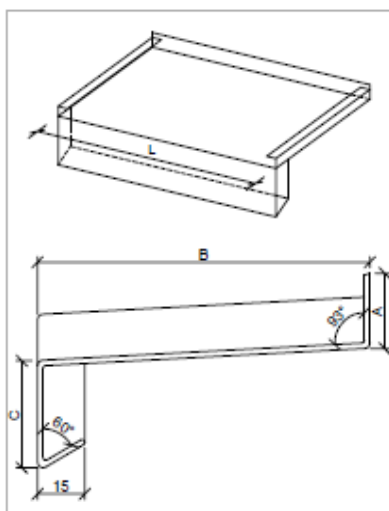
Cill Type 2: Upstand



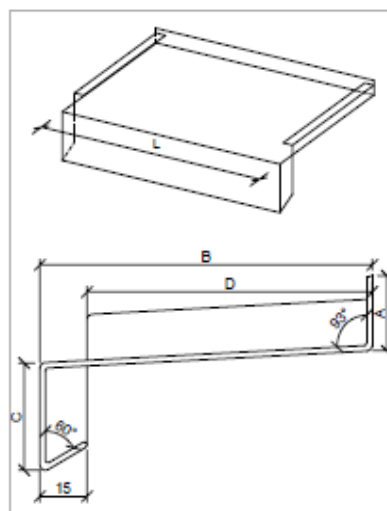
Cill Type 3: Cutout Upstand



Cill Type 4: Full Plaster Stop



Cill Type 5: Cutout Plaster Stop



Cill Type 6: Plain

