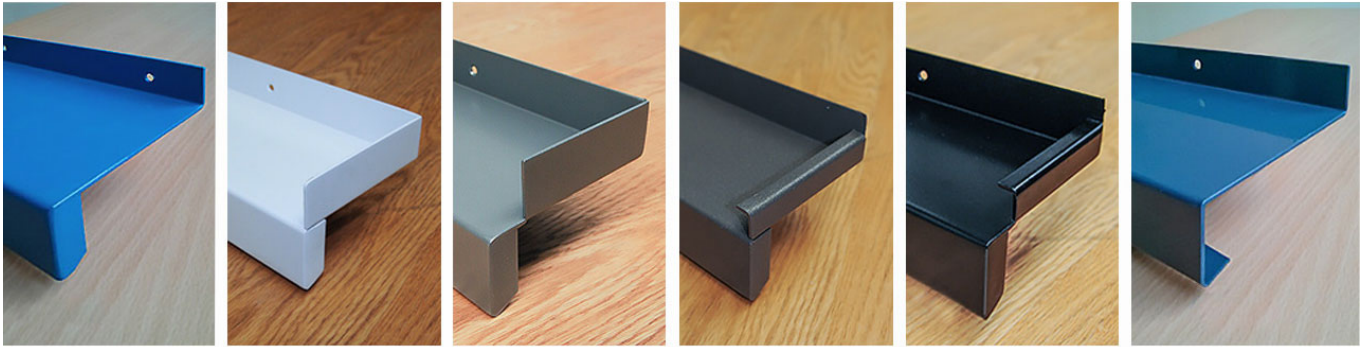


Cill Types



Type 1:
Plain with Stop Ends

Type 2:
Side Upstand

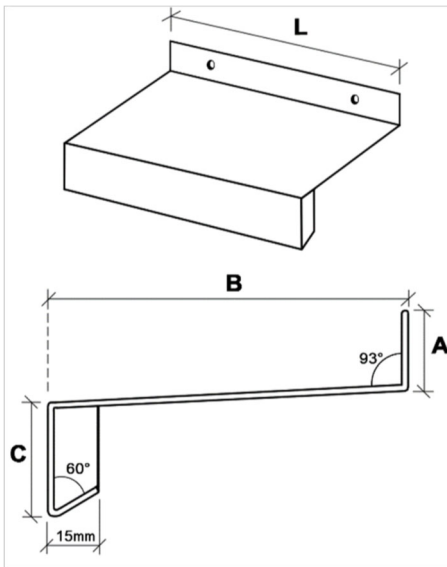
Type 3:
Cutout Side Upstand

Type 4:
Plaster Stop

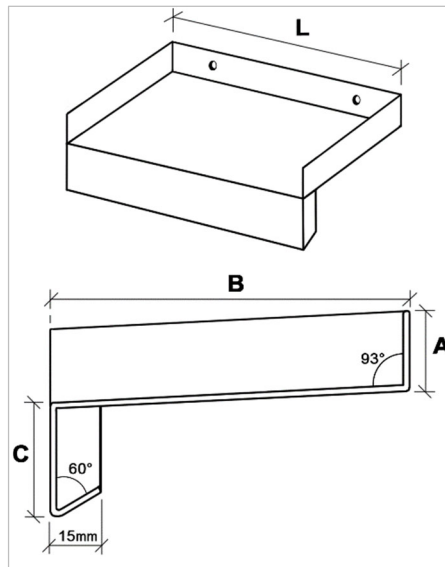
Type 5:
Cutout Plaster Stop

Type 6:
Plain

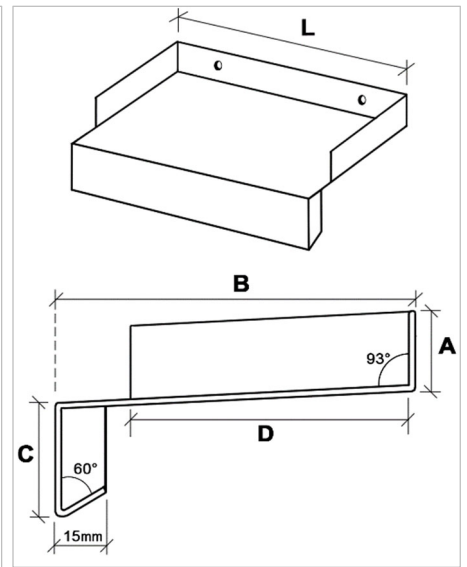
Type 1 Plain Stopend



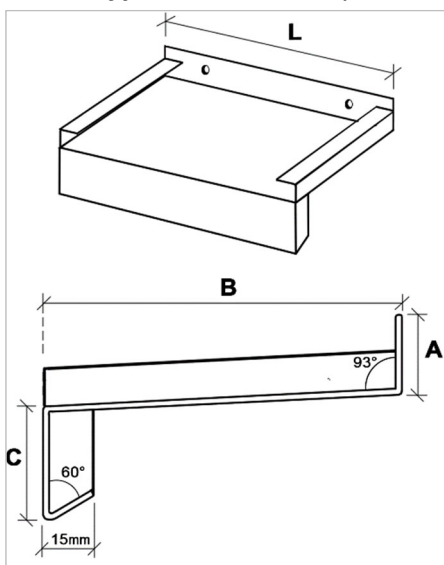
Type 2 Side Upstand



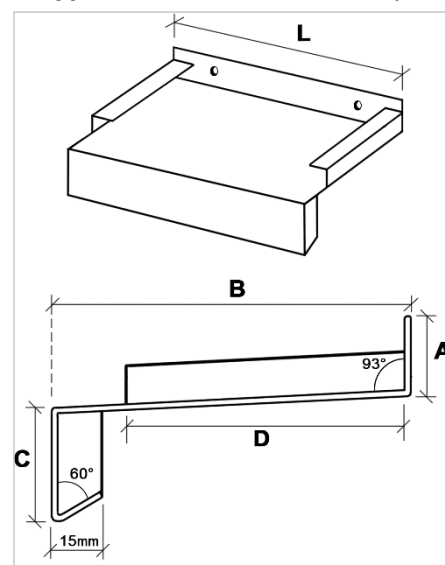
Type 3 Cutout Side Upstand



Type 4 Plaster Stop



Type 5 Cutout Plaster Stop



Type 6 Plain

